



FIREFIGHTING FOAM PRODUCTS CATALOG



A Tyco International Company

Firefighting Foam Products Catalog

Table of Contents

Firefighting Foam Agents	1-2
Special Agents	3
Foam Solution Test Instruments	3
Handline Nozzles and Eductors	3-4
Manual Monitors	5
Automatic Water-Oscillating Monitors	5
High-Flow Series Monitors/Nozzles	6
Remote-Controlled Monitors	6
Master Stream Monitor Nozzles	7
Master Foam Monitor Nozzles	8
Air-Aspirating Foam Nozzles	8
MOBILCART	9
Proportioning Foam Trailers	9
Around-the-Pump Proportioners	10
36-Gallon Foam Station	11
Floating Roof Foam Makers	11
Foam Chambers/Accessories	12
JET-X High-Expansion Generators/Accessories	13
Foam Systems Training	14
Foam Concentrate Testing	15

Please Note: In addition to the portable foam equipment listed in this catalog, Tyco Fire Protection Products also manufactures a variety of equipment made for fixed-foam system applications. These items include:

- Vertical and horizontal bladder tanks
- Bladder tank accessories
- Threaded and flanged proportioners
- In-line balanced pressure proportioners
- Polyethylene foam tanks

Please contact your ANSUL Field Sales Representative or call ANSUL Technical Services at **1-800-862-6785** or **1-715-735-7415** for design and pricing information of fixed-foam systems.

Firefighting Foam Agents

ANSULITE 1% AFFF Concentrate



For use on Class B hydrocarbon fuel fires such as crude oils, gasoline, diesel fuels and aviation fuels. Aspirated or nonaspirated discharge devices. 1% solution in fresh, salt or hard water. 1% premix in fresh or potable water. UL Listed.

5 gal (19 L) pail **PART NO. 55804**
55 gal (208 L) drum **PART NO. 55811**
265 gal (1003 L) tote **PART NO. 432160**

ANSULITE 1% Freeze-Protected AFFF Concentrate



For use on Class B hydrocarbon fuel fires such as crude oils, gasoline, diesel fuels and aviation fuels. Aspirated or nonaspirated discharge devices. 1% solution in fresh, salt or hard water. 1% premix in fresh or potable water. Concentrate is freeze protected to -20 °F (-29 °C). UL Listed.

5 gal (19 L) pail **PART NO. 415301**
55 gal (208 L) drum **PART NO. 415303**
265 gal (1003 L) tote **PART NO. 432156**

ANSULITE 3% AFFF Concentrate (AFC-3-A)



For use on Class B hydrocarbon fuel fires such as crude oils, gasoline, diesel fuels, and aviation fuels. Aspirated or nonaspirated discharge devices. 3% solution in fresh, salt or hard water. 3% premix in fresh or potable water. UL Listed.

5 gal (19 L) pail **PART NO. 55800**
55 gal (208 L) drum **PART NO. 55809**
265 gal (1003 L) tote **PART NO. 431499**

ANSULITE PREMIUM 3% AFFF Concentrate MIL SPEC (AFC-5-A)



For use on Class B hydrocarbon fuel fires such as crude oils, gasoline, diesel fuels and aviation fuels. Aspirated or nonaspirated discharge devices. 3% solution in fresh, salt or hard water. 3% premix in fresh or potable water. UL Listed. On QPL under U.S. Military Specification MIL-F-24385F.

5 gal (19 L) pail **PART NO. 68122**
55 gal (208 L) drum **PART NO. 68123**
265 gal (1003 L) tote **PART NO. 432336**

ANSULITE 3% Freeze-Protected AFFF Concentrate



For use on Class B hydrocarbon fuel fires such as crude oils, gasoline, diesel fuels and aviation fuels. Aspirated or nonaspirated discharge devices. 3% solution in fresh, salt or hard water. 3% premix in fresh or potable water. Concentrate is freeze protected to -20 °F (-29 °C). UL Listed.

5 gal (19 L) pail **PART NO. 54783**
55 gal (208 L) drum **PART NO. 54892**
265 gal (1003 L) tote **PART NO. 432161**

ANSULITE 6% AFFF Concentrate (AFC-3)



For use on Class B hydrocarbon fuel fires such as crude oils, gasoline, diesel fuels and aviation fuels. Aspirated or nonaspirated discharge devices. 6% solution in fresh, salt or hard water. 6% premix in fresh or potable water. UL Listed.

5 gal (19 L) pail **PART NO. 54391**
55 gal (208 L) drum **PART NO. 54392**
265 gal (1003 L) tote **PART NO. 432155**

ANSULITE PREMIUM 6% AFFF Concentrate MIL SPEC (AFC-5)



For use on Class B hydrocarbon fuel fires such as crude oils, gasoline, diesel fuels and aviation fuels. Aspirated or nonaspirated discharge devices. 6% solution in fresh, salt or hard water. 6% premix in fresh or potable water. UL Listed. On QPL under U.S. Military Specification MIL-F-24385F.

5 gal (19 L) pail **PART NO. 68120**
55 gal (208 L) drum **PART NO. 68121**
265 gal (1003 L) tote **PART NO. 432159**

ANSULITE 1X3 F-601A AR-AFFF Concentrate

Superior firefighting performance on Class B fuel fires: 1% concentrate on hydrocarbon fuels such as gasoline, fuel oil, etc. and 3% on polar solvent (water miscible) fuels such as methyl alcohol, acetone, MTBE, etc. Aspirated or non-aspirated discharge devices. 1% or 3% solution in fresh, salt or hard water. 1% or 3% premix in fresh or potable water. UL Listed.



5 gal (19 L) pail **PART NO. 437187**
55 gal (208 L) drum **PART NO. 437188**
265 gal (1003 L) tote **PART NO. 437189**

ANSULITE 3x3 Low Viscosity AR-AFFF Concentrate

Superior firefighting performance on Class B fuel fires. Used as 3% concentrate on BOTH hydrocarbon fuels such as gasoline, fuel oil, etc., and polar solvent (water miscible) fuels such as methyl alcohol, acetone, MTBE, etc. Low viscosity formula enhances performance with in-line eductors, balanced pressure systems and built-in systems on firefighting vehicles. Aspirated or nonaspirated discharge devices. 3% solution in fresh, salt or hard water. 3% premix in fresh water. UL Listed, FM and USCG Approved.



5 gal (19 L) pail **PART NO. 416493**
55 gal (208 L) drum **PART NO. 416495**
265 gal (1003 L) tote **PART NO. 429741**

ANSULITE 3X6 F-600A AR-AFFF Concentrate

Superior firefighting performance on Class B fuel fires: 3% concentrate on hydrocarbon fuels such as gasoline, fuel oil, etc.; 6% on polar solvent (water miscible) fuels such as methyl alcohol, acetone, MTBE, etc. Aspirated or non-aspirated discharge devices. 3% or 6% solution in fresh, salt or hard water. 3% or 6% premix in fresh or potable water. UL Listed.



5 gal (19 L) pail **PART NO. 437197**
55 gal (208 L) drum **PART NO. 437198**
265 gal (1003 L) tote **PART NO. 437199**

Firefighting Foam Agents

ANSULITE ARC 3% and 6% AR-AFFF Concentrate



For use on Class B fuel fires: 3% concentrate on hydrocarbon fuels such as gasoline, fuel oil, etc. and 6% on polar solvent (water miscible) fuels such as methyl alcohol, acetone, MTBE, etc. Aspirated or non-aspirated discharge devices. 3% or 6% solution in fresh, salt or hard water. 3% or 6% premix in fresh or potable water. UL Listed and FM Approved.

5 gal (19 L) pail **PART NO. 55797**
 55 gal (208 L) drum **PART NO. 55808**
 265 gal (1003 L) tote **PART NO. 432157**

ANSULITE ARC 3% or 6% Freeze Protected AR-AFFF Concentrate



For use on Class B hydrocarbon fuel fires such as crude oils, gasoline, diesel fuels and aviation fuels. Aspirated or non-aspirated discharge devices. 3 or 6% solution in fresh, salt or hard water. 3 or 6% premix in fresh or potable water. Concentrate is freeze protected to 0 °F (-18 °C). UL Listed.

5 gal (19 L) pail **PART NO. 415245**
 55 gal (208 L) drum **PART NO. 415246**
 265 gal (1003 L) tote **PART NO. 432852**

JET-X 2 3/4% Salt and Fresh Water High-Expansion Foam Concentrate



For use on Class A, B and LNG fires. Capable of total flooding large rooms and enclosures when used with JET-X high-expansion generators at 200:1 to 1000:1 expansion ratios (2 3/4% concentration). Also used with medium-expansion equipment at 50:1 to 200:1 expansion ratios (2% concentration). Used only with air-aspirating foam discharge devices. UL Listed and FM Approved.

5 gal (19 L) pail **PART NO. 420008**
 55 gal (208 L) drum **PART NO. 420009**
 265 gal (1003 L) tote **PART NO. 431175**

JET-X 2% Fresh Water High-Expansion Foam Concentrate



For use on Class A, B and LNG fires. Capable of total flooding large rooms and enclosures when used with JET-X high-expansion generators at 200:1 to 1000:1 expansion ratios (2% concentration). Also used with medium-expansion equipment at 50:1 to 200:1 expansion ratios (2% concentration). Used only with air-aspirating foam discharge devices. UL Listed.

5 gal (19 L) pail **PART NO. 436879**
 55 gal (208 L) drum **PART NO. 436881**
 265 gal (1003 L) tote **PART NO. 436883**

SILV-EX PLUS "Class A" Fire Control Concentrate

Makes water at least five times more effective on many Class A deep-seated applications including wild fires and fires found in structures, paper, tires, and coal. Additionally, SILV-EX PLUS has been formulated to minimize its environmental signature containing no reportable substances and having no flashpoint. Proportioned from 0.1% to 1% in fresh, brackish or sea water; as a premix in fresh or potable water for long-term storage. Delivered using aspirating and nonaspirating discharge devices, compressed air foam systems or dropped from fixed or rotary wing aircraft. Approved by U.S. Forest Service.



5 gal (19 L) pail **PART NO. 434467**
 55 gal (208 L) drum **PART NO. 434469**
 265 gal (1003 L) tote **PART NO. 434471**

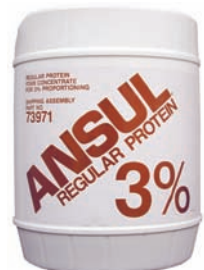
ANSUL 3% Fluoroprotein Foam Concentrate



For use on Class B hydrocarbon fuel fires such as crude oils, gasoline, diesel fuels and aviation fuels. Must be used with air-aspirating type discharge devices. 3% solution in fresh, salt or hard water. UL Listed.

5 gal (19 L) pail **PART NO. 73973**
 55 gal (208 L) drum **PART NO. 73972**

ANSUL 3% Regular Protein Foam Concentrate



For use on Class B hydrocarbon fuel fires such as crude oils, gasoline, diesel fuels and aviation fuels. Must be used with air-aspirating type discharge devices. 3% solution in fresh, salt or hard water. UL Listed.

5 gal (19 L) pail **PART NO. 73971**
 55 gal (208 L) drum **PART NO. 73970**

ANSUL-A Municipal "Class A" Fire Control Concentrate



ANSUL-A foam concentrate is formulated using fluorine-free surfactants to perform on Class A combustible materials. ANSUL-A foam is compatible for use in compressed air foam systems (CAFS) over the use range of 0.1% to 1.0%. The minimum storage temperature for this concentrate is 20 °F (-6.7 °C).

5 gal (19 L) pail **PART NO. 433442**
 55 gal (208 L) drum **PART NO. 433443**
 265 gal (1003 L) tote **PART NO. 433558**

ANSUL Foam Sample Kit



Use for demos or trade show displays. Contains 6 samples of various ANSULITE foam products in a convenient carry case.

PART NO. 431512

Special Agents

TARGET 7 Vapor Mitigation & Neutralizing Agent



For use on highly toxic chemicals like chlorine dioxide and titanium tetrachloride. Mitigates dangerous vapor releases and simultaneously neutralizes (with the addition of an acidic or caustic agent, depending on the application) the spilled material without causing additional vapor release.

- 5 gal (19 L) pail **PART NO. 428500**
- 55 gal (208 L) drum **PART NO. 428499**
- 265 gal (1003 L) tote **PART NO. 428550**

Training Foam



Not intended for live fire training or for actual firefighting operations. Functional in any proportioning and generating equipment. Minimizes effects of training on the environment. Expansion and drainage characteristics similar to conventional 3% and 6% AFFF products.

- 5 gal (19 L) pail **PART NO. 428704**
- 55 gal (208 L) drum **PART NO. 428706**
- 265 gal (1003 L) tote **PART NO. 428707**

Foam Solution Test Instruments

There are two acceptable methods for measuring foam concentrate percentage in water: the Refractive Index Method or Conductivity Method. Both methods are based on comparing foam solution test samples to premeasured solutions that are plotted on a baseline graph of percent concentration versus instrument reading.

Test procedures for conducting proportioning testing can be found in the supplement manual (Part No. 31274) Field Inspection Manual for Foam Concentrates and Foam Pre-mixed Solutions. This supplement is included with the Foam Systems Design Manual and many other ANSUL Foam System Manuals. These procedures are also outlined in NFPA 11.

Digital Hand-held Refractometer

- Refractive Index Scale: 1.3330 – 1.5040
- Scale Division: 0.0001
- Accuracy: ± 0.0001
- Brix Scale: 0 – 85
- Scale Division: 0.1
- Accuracy: ± 0.1
- Power: 2 AAA Batteries



007524

Model PA202

PART NO. 434434

Hand-held Refractometer

- Refractive Index Scale: 1.3330 – 1.3730
- Scale Division: 0.0002 readily estimated to 0.0001
- Accuracy: ± 0.0001
- Salinity Scale: 0 – 160
- Scale Division: 2 ppt.
- Accuracy: ± 1 ppt.



007523

Model 10419

PART NO. 405713

Conductivity Meter

- Range of Instrument: 0 – 20000 uS, Range on Foam Setting (x100): 0 – 2000 uS
- Accuracy: ± 40 uS
- Resolution: 2 uS
- Power: 8 Rechargeable AA NICAD Batteries



007525

Model 1500-32

PART NO. 434435

Handline Nozzles and Educutors

Handline Nozzles

Designed for industrial and municipal use. Lightweight and rugged. Adjustable tip offers straight stream, various fog patterns, 180° water curtain and a complete shutoff.



Handline Nozzle, L205B

Chrome-plated brass,
1 1/2 in NHT, 60 gpm (227 Lpm)

PART NO. 72022

Handline Nozzle, L205B

Chrome-plated brass,
1 1/2 in NHT, 95 gpm (360 Lpm)

PART NO. 470230

Handline Nozzle, L205B

Chrome-plated brass,
1 1/2 in NHT, 125 gpm (473 Lpm)

PART NO. 435788

Handline Nozzles and Eductors

Low Expansion Nozzles

Used with all low expansion foam agents. Portable, air-aspirating stainless steel nozzle with ball shutoff valve. Recommended for use with the ANSUL Model Z eductor.

KR-S2 Low Expansion Nozzle

60 gpm (227 Lpm) @ 100 psi (7 bar). Recommended for use with ANSUL Z-2 eductor.

PART NO. 415981



KR-S4 Low Expansion Nozzle

120 gpm (454 Lpm) @ 100 psi (7 bar). Recommended for use with ANSUL Z-4 eductor.

PART NO. 415982

Medium Expansion Nozzles

Portable, air-aspirating stainless steel nozzle with ball shutoff valve. Recommended for use with the ANSUL Model Z eductor and ANSULITE 3x3, JET-X High-Expansion or SILV-EX Plus Class A Foam.

KR-M2 Medium Expansion Nozzle

60 gpm (227 Lpm) @ 100 psi (7 bar). Recommended for use with ANSUL Z-2 eductor.

PART NO. 415983



KR-M4 Medium Expansion Nozzle

120 gpm (454 Lpm) @ 100 psi (7 bar). Recommended for use with ANSUL Z-4 eductor.

PART NO. 415984

Dual Expansion Nozzles

Easily convertible from medium to low expansion. Air-aspirating stainless steel nozzle with ball shutoff valve. Recommended for use with the ANSUL Model Z eductor and ANSULITE 3x3, JET-X High-Expansion or SILV-EX Plus Class A Foam.

KR-S/M2 Dual Expansion Nozzle

60 gpm (227 Lpm) @ 100 psi (7 bar). Recommended for use with ANSUL Z-2 eductor.

PART NO. 415985



KR-S/M4 Dual Expansion Nozzle

120 gpm (454 Lpm) @ 100 psi (7 bar). Recommended for use with ANSUL Z-4 eductor.

PART NO. 415986

FWB Eductor with Pickup Tube and Metering Valve

Brass construction. Flexible pickup hose and valve adjustable from 1 to 6% concentration.

1 1/2 in. NH, 60 gpm (227 Lpm)
PART NO. 420068

1 1/2 in. NH, 95 gpm (360 Lpm)
PART NO. 420069

Pickup Tube, 1 1/2 in. Replacement
PART NO. 420071

2 1/2 in. NH, 120 gpm (454 Lpm)
PART NO. 420070

Pickup Tube, 2 1/2 in. Replacement
PART NO. 420072

Foam Eductors

Metering valve adjustable from 0 to 6%. Efficient, low cost proportioning. Brass construction, anodized aluminum couplings with NHT threads.

Z-2 Foam Eductor,
60 gpm (227 Lpm).
PART NO. 415979

Z-4 Foam Eductor,
120 gpm (454 Lpm).
PART NO. 415980



Air-Aspirating Handline Nozzles



Used with all low expansion foam agents. Stainless steel nozzle. 1-1/2 in. hose.

Without Shutoff, 60 gpm (227 Lpm). Recommended for use with PL-60 line proportioner. 200 ft (61 m) max. hose between line proportioner and nozzle.

PART NO. 77796

With Shutoff, 60 gpm (227 Lpm). Pistol-grip shutoff in anodized aluminum. Recommended for use with ANSUL PL-60 line proportioner. 200 ft (61 m) max. hose between line proportioner and nozzle.

PART NO. 77792

Without Shutoff, 95 gpm (360 Lpm). Recommended for use with ANSUL PL-95 line proportioner. 100 ft (30.5 m) max. hose between line proportioner and nozzle.

PART NO. 77797

With Shutoff, 95 gpm (360 Lpm). Pistol-grip shutoff in anodized aluminum. Recommended for use with ANSUL PL-95 line proportioner. 100 ft (30.5 m) max. hose between line proportioner and nozzle.

PART NO. 77793

Without Shutoff, 120 gpm (454 Lpm). Recommended for use with ANSUL PL-120 line proportioner. 100 ft (30.5 m) max. hose between line proportioner and nozzle.

PART NO. 77981

With Shutoff, 120 gpm (454 Lpm). Pistol-grip shutoff in anodized aluminum. Recommended for use with ANSUL PL-120 line proportioner. 100 ft (30.5 m) max. hose between line proportioner and nozzle.

PART NO. 78419

Monitors

Protector Station Manual Monitor

Patented waterway and stream straightening vane reduce friction loss and turbulence. Designed to deliver water or foam solution at flows up to 1250 gpm (4732 Lpm). Bolts directly to 4 in. pipe flange. 2 1/2 in. male NHT outlet. 1/2 in. NPT drain valve and pressure gauge ports.



ORDER NOZZLE SEPARATELY

The Protector is constructed of A356.0 ANSI alloy heat treated to T6 with poly-impregnation casting treatment. It is also hardcoat anodized per military specification MIL-A-8625F Type III, Class 1 and features polyester powder-coated outer surfaces inside and out. The swivel clamps, 3 in. valve ball, trunnions and hardware are 18-8 stainless steel. The monitor may be used to deliver water or foam streams. Built-in on/off valve.

PART NO. 427469

Manual Monitor MM-1000-3

Designed to deliver 1000 gpm (3785 Lpm) water or foam solution depending on nozzle selected. 3 in. continuous tubing reduces friction loss. Single tiller bar operation with lock knobs. 3 in. 150 lb ANSI mounting flange. 360° sweep. 160° total vertical movement. 2 1/2 in. male NHT outlet. Carbon steel with red polyester finish or stainless steel with electropolish finish.



ORDER NOZZLE SEPARATELY

MM-1000-3

PART NO. 400276

SS-MM-1000-3

PART NO. 402825

Manual Monitor MM-1000-4

Designed to deliver 1000 gpm (3785 Lpm) water or foam solution depending on nozzle selected. 3 in. continuous tubing reduces friction loss. Single tiller bar operation with lock knobs. 4 in. 150 lb ANSI mounting flange. 360° sweep. 160° total vertical movement. 2 1/2 in. male NHT outlet. Carbon steel with red polyester finish or stainless steel with electropolish finish.

MM-1000-4

PART NO. 400286

SS-MM-1000-4

PART NO. 402826

WOM-3 Automatic Water-Oscillating Monitor

Designed to deliver 1000 gpm (3785 Lpm) water or foam solution. Automatically oscillates via water-powered piston and cylinder. Field adjustable up to 200° sweep. 90° total vertical movement. Non-slip lock sets elevation. 4 in. 150 lb ANSI mounting flange. 2 1/2 in. male NHT outlet. Stainless steel available.

WOM-3

PART NO. 400000

WOM-3SS

PART NO. 400251



WOM-4 Automatic Water-Oscillating Monitor

Designed to deliver 1750 gpm (6624 Lpm) water or foam solution. Automatically oscillates via water-powered piston and cylinder. Field adjustable up to 165° sweep. 114° total vertical movement. Handwheel sets elevation. 4 in. 150 lb ANSI mounting flange. Special outlet flange connection for AFN-2 foam nozzle. Outlet adaptor available to NHT.

WOM-4

PART NO. 402675

Optional Support Stand

Steel support stand facilitates mounting of monitor and inlet piping. Fits WOM-3 and WOM-4 monitors.

PART NO. 400987

Filter Package

Alternate filter package for muddy water applications. Fits WOM-3 and WOM-4 monitors.

PART NO. 77814

Monitors

High-Flow Series Monitors/Nozzles

The High-Flow Series achieves flow rates from 800 to more than 5000 gallons per minute (3000 to 18927 Lpm) depending on the model, nozzle setting, and inlet pressure. The dual waterway design, integrated nozzle, lightweight stainless steel construction and integral copper alloy nozzle make the High-Flow Series well suited for marine applications and other corrosive environments. The manual monitor is available with a standard or self-educing nozzle.

FJM-80, 1000 gpm @ 232 psi (3785 Lpm @ 16 bar)
PART NO. 431100

FJM-80 S with suction hose*
1000 gpm @ 232 psi (3785 Lpm @ 16 bar)
PART NO. 431101

FJM-80 P, 800 gpm @ 200 psi (3000 Lpm @ 13.8 bar)
PART NO. 431102

FJM-80 SP with suction hose*
800 gpm @ 200 psi (3000 Lpm @ 13.8 bar)
PART NO. 431103

FJM-80 PO, 800 gpm @ 200 psi (3000 Lpm @ 13.8 bar)
PART NO. 431104

FJM-80 SPO with suction hose*
800 gpm @ 200 psi (3000 Lpm @ 13.8 bar)
PART NO. 431105

FJM-80-SWTO Self-Educting, Water Oscillating
PART NO. 433806

FJM-80-WTO Water Oscillating
PART NO. 433233

FJM-100, 1600 gpm @ 232 psi (6000 Lpm @ 16 bar)
PART NO. 431106

FJM-100 S with suction hose*
1600 gpm @ 232 psi (6000 Lpm @ 16 bar)
PART NO. 431107

FJM-100/C/MV EL**
1600 gpm @ 232 psi (6000 Lpm @ 16 bar)
PART NO. 431108

FJM-100-WTO Water Oscillating
PART NO. 432643



MODEL FJM-80



MODEL FJM-200

FJM-100-WTO-S Water Oscillating
PART NO. 432704

FJM-150, 3100 gpm @ 232 psi (11,700 Lpm @ 16 bar)
PART NO. 431109

FJM-150 S with 2 in. suction hose*
3100 gpm @ 232 psi (11,700 Lpm @ 16 bar)
PART NO. 431110

FJM-150 G, 3100 gpm @ 232 psi
(11,700 Lpm @ 16 bar)
PART NO. 431111

FJM-150 S G with 2 in. suction hose*
3100 gpm @ 232 psi (11,700 Lpm @ 16 bar)
PART NO. 431112

FJM-150/C/MV EL**
3100 gpm @ 232 psi (11,700 Lpm @ 16 bar)
PART NO. 431113

FJM-150-WTO Water Oscillating
PART NO. 433235

FJM-200/C/MV G, 5300 gpm @ 232 psi (20,000 Lpm @ 16 bar)
PART NO. 431114

FJM-200/C/MV S G with suction hose*
5300 gpm @ 232 psi (20,000 Lpm @ 16 bar)
PART NO. 431115

FJM-200/C/MV EL/MV**
5300 gpm @ 232 psi (20,000 Lpm @ 16 bar)
PART NO. 431116

* Specify flow, inlet pressure, concentrate and % concentration

** Specify voltage and current type

EL = electric gear motor driven; G = gear operated; O = water oscillating;
P = portable; S = self-educing

Master Stream Monitor Nozzles

Industrial Nozzles

Fixed orifice constant flow monitor nozzle. User adjustable fog angle from 90° to straight stream. 2-1/2 in. FNHT. Anodized CR Aluminum with UV-resistant rubber bumper. Recommended for use with Protector Station, MM-1000, WOM-3 and WOM-4 monitors.

Industrial Nozzle, 350

350 gpm @ 100 psi (1325 Lpm @ 7 bar). Range is 183 ft @ 100 psi (55.8 m @ 7 bar).

PART NO. 427471

Industrial Nozzle, 500

500 gpm @ 100 psi (1893 Lpm @ 7 bar). User adjustable fog angle from 90° and straight stream. Range is 200 ft @ 100 psi (61 m @ 7 bar).

PART NO. 427472

Industrial Nozzle, 750

750 gpm @ 100 psi (2839 Lpm @ 7 bar). User adjustable fog angle from 90° and straight stream. Range is 219 ft @ 100 psi (66.8 m @ 7 bar).

PART NO. 427473

Industrial Nozzle, Specify gpm

Specify flow and pressure when ordering. Factory ordered fixed orifice: K-factors of 15-75. User adjustable fog angle from 90° and straight stream.

PART NO. 427474 (Specify Flow and Pressure)

M-IF Nozzle

Fixed orifice constant flow monitor nozzle. Clean, far-reaching straight stream with flows up to 1050 gpm (3975 Lpm). Also adjustable to dense fog. Factory ordered fixed orifice: K-factors of 75-105. 2-1/2 in. FNHT. Hard-coat anodized aluminum.

PART NO. 427475

(Specify Flow and Pressure)



Master Stream 2000 Nozzle

300-2000 gpm @ 100 psi (1136-7571 Lpm @ 7 bar). Automatic high volume master stream nozzle designed to a constant 100 psi (7 bar) at the nozzle throughout its range. Lightweight hardcoat anodized aluminum provides maximum resistance to corrosion and water. Recommended for use with ANSUL's WOM-4 Manual Monitor.

PART NO. 427470



Master Foam Monitor Nozzles

Self-Educting Nozzles

Educts foam concentrate at 0.5, 1, 3, or 6%. User adjustable fog angle from 120° and straight stream. Anodized aluminum with UV-resistant rubber bumper. 2-1/2 in. FNHT. Recommended for use with Protector Station, MM-1000 or SS-MM-1000 monitors.

350 gpm @ 100 psi (1325 Lpm @ 7 bar). Range up to 160 ft @ 100 psi (55.8 m @ 7 bar).

PART NO. 427460

PART NO. 427463 – 3X3LV ORIFICE

500 gpm @ 100 psi (1893 Lpm @ 7 bar). Range up to 175 ft @ 100 psi (61 m @ 7 bar).

PART NO. 427461

PART NO. 427464 – 3X3LV ORIFICE

750 gpm @ 100 psi (2839 Lpm @ 7 bar). Range up to 190 ft @ 100 psi (66.8 m @ 7 bar).

PART NO. 427462

PART NO. 427465 – 3X3LV ORIFICE



Protector Station Monitor and Hose Not Included

Self-Educting Monitor Connection Kits

Single Foam Drum Kit, 45 in. (1143 mm)

PART NO. 428925

Dual Foam Drum Kit, 45 in. (1143 mm)

PART NO. 429414

Add-on Foam Drum Kit, 45 in. (1143 mm)

PART NO. 428926

FJM-80S, Kit Connection to Drum Kit

PART NO. 434980

FJM-100S, 150S, 200S, Kit Connection to Drum Kit

PART NO. 434981

FJM-80S, Tote Connection Kit

PART NO. 434985

FJM-100S, 150S, 200S, Tote Connection Kit

PART NO. 434982

Master Foam Nozzle, Tote Connection Kit

PART NO. 434984

Vacuum Relief, Assembly for Totes

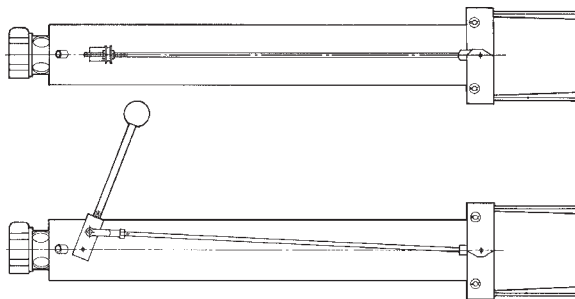
PART NO. 434983

The Dual Foam Drum Kit = Single Foam Drum Kit + Add-on Foam Drum Kit

Air-Aspirating Foam Nozzles

AFN-1 Nozzles

Orifice plates can be sized from 250-1000 gpm (946-3785 Lpm) based on inlet pressure. Range from 50-190 ft (15-58 m) depending on pressure and elevation. 2-1/2 in. FNHT inlet swivel coupling attaches to WOM-3, MM-1000, or WOM-4 monitor with adaptor. Hard anodized aluminum with stainless steel fasteners and adjustment rod.



AFN-1 Nozzle

Field adjustable stream pattern from even fan to full straight stream.

PART NO. 400200

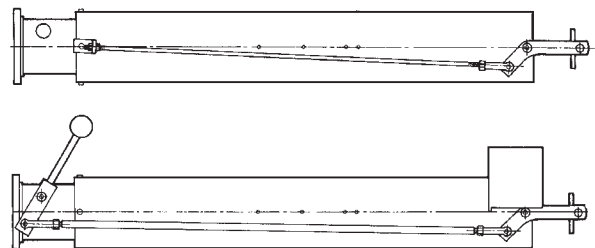
AFN-1M Nozzle

Lever-operated stream pattern from even fan to full straight stream.

PART NO. 400336

AFN-2 Nozzles

Orifice plates can be sized from 700-2000 gpm (2560-7571 Lpm) based on inlet pressure. Range from 60-200 ft (18-61 m) depending on pressure and elevation. Special flange inlet joint and O-ring attaches to WOM-4 monitor. Hard anodized aluminum with stainless steel fasteners and adjustment rod.



AFN-2 Nozzle

Field adjustable stream pattern: dispersed or full straight stream.

PART NO. 77088

AFN-2M Nozzle

Lever-operated stream pattern: dispersed or full straight stream.

PART NO. 77115

CALL ANSUL IF STAINLESS STEEL NOZZLE IS REQUIRED!

MOBILCART

36-Gallon Foam Cart

The ANSUL Mobile firefighting foam-attack cart is a self-contained fast-response cart ideal for small fires and chemical spills. It comes with a 36-gallon foam concentrate tank, a choice of three different types of nozzles at flows of 60 or 120 gpm (227 or 454 Lpm), a matching eductor, and two 50 ft (15.2 m) lengths of 1-3/4 in. double-jacketed and lined firehose with NHT fittings. Please specify nozzle and part number when ordering.

Cart with 60 gpm (227 Lpm) Low Expansion KR-S2 Foam Nozzle
PART NO. 429952

Cart with 60 gpm (227 Lpm) Medium Expansion KR-M2 Foam Nozzle
PART NO. 429953

Cart with 60 gpm (227 Lpm) Waterfog Nozzle
PART NO. 429954

Cart with 120 gpm (454 Lpm) Low Expansion KR-S4 Foam Nozzle
PART NO. 429955

Cart with 120 gpm (454 Lpm) Medium Expansion KR-M4 Foam Nozzle
PART NO. 429956

Cart with 120 gpm (454 Lpm) Waterfog Nozzle
PART NO. 429957



Proportioning Foam Trailers

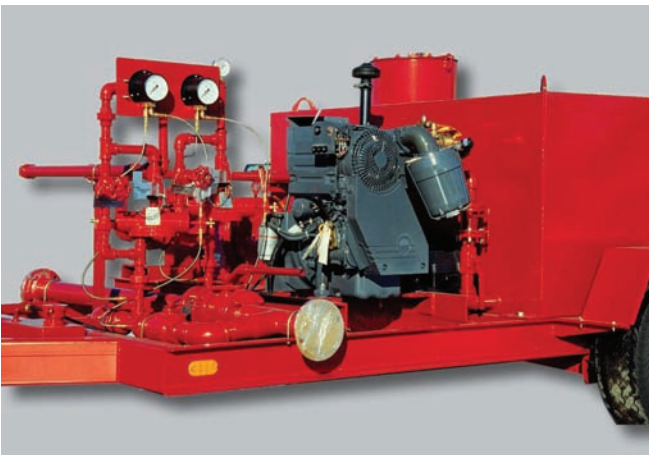
Proportioning Foam Trailer

Trailer assembly constructed of structural steel channel with axle(s), wheels and tires designed to carry gross weight of trailer with equipment including carbon steel tank with removable gasketed top, in-line balanced pressure proportioning system and positive displacement foam concentrate pump.

PTF-500, 500 gal (1893 L)
PART NO. 415144

PTF-750, 750 gal (2839 L)
PART NO. 415145

PTF-1000, 1000 gal (3785 L)
PART NO. 415146



Master Foam Tote-Trailer

Trailer assembly constructed of structural steel channel with axle(s), wheels and tires designed to carry gross weight of trailer with equipment including 265 gal (1003 L) capacity foam tote tank made of high-density polyethylene and protected by a rigid welded galvanized tubular steel grid. Also includes a Protector Station Monitor with built-in on/off valve and ANSUL Master Foam nozzle.

PART NO. 428560



Dual Tote Trailer (not pictured)
PART NO. 471019

Around-the-Pump Proportioners

Around-the-Pump Proportioner

Proportions foam concentrate and water at the desired percentage in a fire pump system. The number of different foam concentrates is only limited by available space as each foam concentrate requires its own separate tank. Can be used for various shipboard applications. Water flow rates listed apply to 3% ANSUL foam concentrates.

Model Dual B-2 Pkg. 20-400 gpm (76-1515 Lpm), ATP, Class A and B
PART NO. 420011

Model B-2 Pkg. 20-400 gpm (76-1515 Lpm), ATP, Class B
PART NO. 420012

Model W-2 Pkg. 20-400 gpm (76-1515 Lpm), ATP, Class A
PART NO. 420013

Model 1200 Pkg. 60-1200 gpm (227-4543 Lpm), ATP, Class B
PART NO. 420014

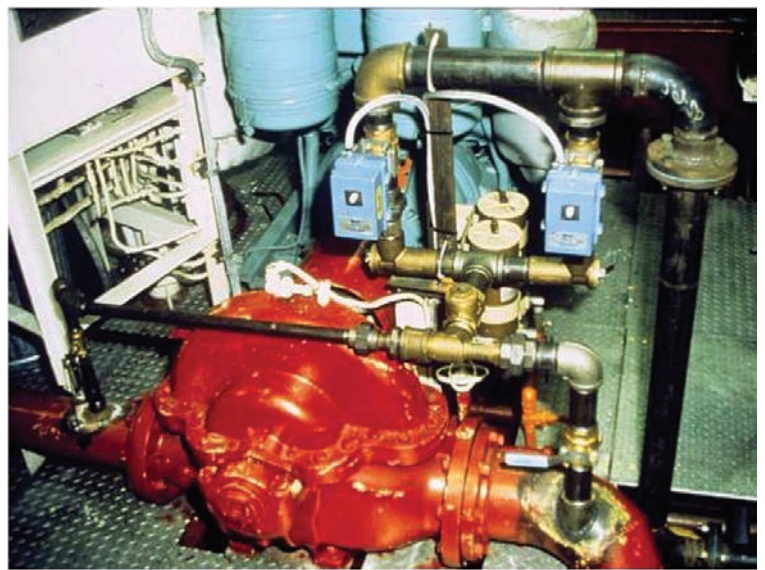
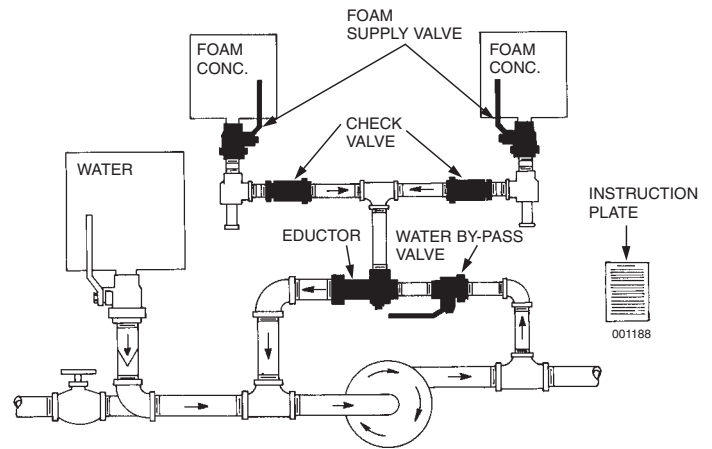
Model 1600 Pkg. 150-1600 gpm (568-6057 Lpm), ATP, Class B
PART NO. 420015

Eductor
PART NO. 420016

Metering Valve, 1-L
PART NO. 420017

Metering Valve, 1-W
PART NO. 420018

Metering Valve, Panel Mount
PART NO. 420019



36-Gallon Foam Station

Bladder Tank

Elastomeric bladder stores foam liquid concentrate discharged by incoming water applying pressure to bladder (not shown).

Standard Red Paint

PART NO. 404127

Bladder Tank Pre-Piped to 2 in. Proportioner

Bladder tank with 2 in. proportioner for nominal flow range of 30-300 gpm (114-1136 Lpm).

Standard Red Paint

PART NO. 403942



Foam Station with Hose Reel and Nozzle

Continuous flow hose reel with straight-through internal fittings, designed to provide a minimum pressure drop. 1-1/2 in. hard rubber booster hose. Nozzle is variable stream (water/AFFF), rated for nominal flow of 95 gpm (379 Lpm) at 100 psi (7 bar).

Standard Red Paint, 75 ft (23 m) hose

PART NO. 76400

Standard Red Paint, 100 ft (30.5 m) hose

PART NO. 404103



Floating Roof Foam Makers

Floating Roof Foam Maker, Stainless Steel

Flow ranges based on 30 psi (2 bar) for smallest orifice and 150 psi (10 bar) for largest. Removable orifice plate delivers foam solution over a range of flow rates depending on inlet pressure.

FLR-30

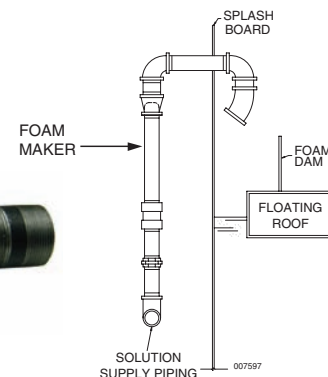
7-71 gpm (26-269 Lpm) flow range.

PART NO. 75615

FLR-90

31-184 gpm (117-696 Lpm) flow range.

PART NO. 75633



Floating Roof Foam Pourers

Air-aspirating foam discharge device designed to protect floating roof, flammable liquid storage tanks. Classified as Type II discharge device in accordance with NFPA 11, "Standard for Low-Expansion Foam." Pressure range 30-150 psi (2-10 bar). Designed for UL Listed floating roof foam maker.

FLR-30-FP

7-71 gpm (26-269 Lpm) flow range.

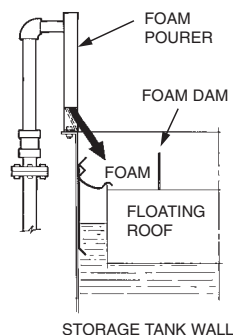
A stainless steel foam solution strainer is provided.

PART NO. 428170

FLR-90-FP

31-184 gpm (117-696 Lpm) flow range

PART NO. 428171



Foam Chambers/Accessories

Foam Chamber/Maker

Air-aspirating foam discharge device used to protect flammable liquid storage tanks. Foam expansion chamber, integral foam maker, stainless steel screened air inlet and orifice plate. Flow range: 49-151 gpm (185-572 Lpm) at 40-100 psi (3-7 bar).

AFC-90

Flow range: 49-151 gpm (185-572 Lpm) at 40-100 psi (3-7 bar)

AFC-90, Primed, PART NO. 75887

AFC-90, Standard Red Paint, PART NO. 75883

AFC-170

Flow range: 94-279 gpm (356-1033 Lpm) at 40-100 psi (3-7 bar)

AFC-170, Primed, PART NO. 75888

AFC-170, Standard Red Paint, PART NO. 75884

AFC-330

Flow range: 183-610 gpm (693-2309 Lpm) at 40-100 psi (3-7 bar)

AFC-330, Primed, PART NO. 75889

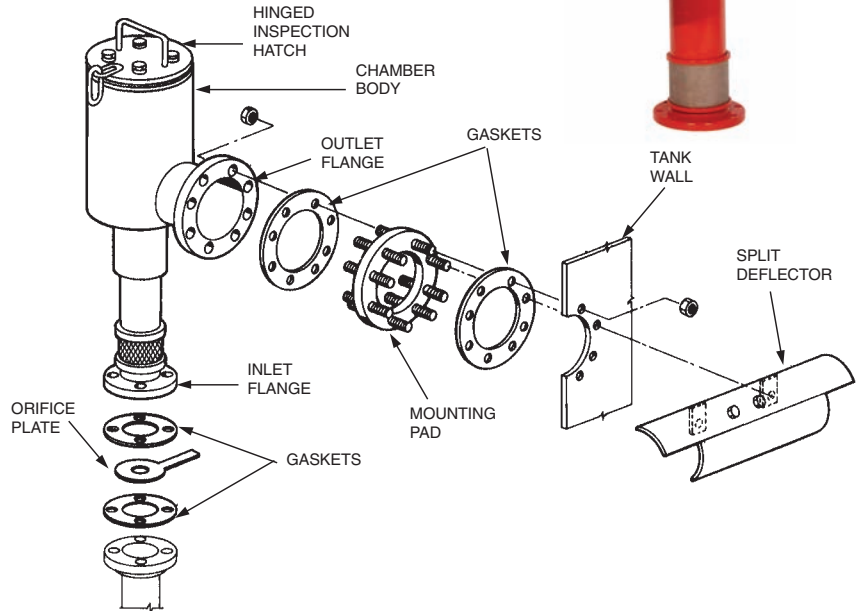
AFC-330, Standard Red Paint, PART NO. 75885

AFC-550

Flow range: 350-980 gpm (1325-3709 Lpm) at 40-100 psi (3-7 bar)

AFC-550, Primed, PART NO. 75890

AFC-550, Standard Red Paint, PART NO. 75886



CALL ANSUL IF CR 'CORROSION RESISTANT' PAINT SYSTEM IS REQUIRED!

Foam Chamber/Maker Split Deflector

Directs foam stream down tank sidewall to lessen the submergence of the foam and agitation of the fuel surface. Allows for bolting or welding to storage tanks.

AFC-90, Primed, PART NO. 74376

AFC-170, Primed, PART NO. 74380

AFC-330, Primed, PART NO. 74384

AFC-550, Primed, PART NO. 74388



Foam Chamber Mounting Pad

Used to bolt foam chamber and deflector to storage tank. Contains mounting studs to fit standard flange holes.

AFC-90 Mounting Pad, Primed, PART NO. 74392

AFC-170 Mounting Pad, Primed, PART NO. 74396

AFC-330 Mounting Pad, Primed, PART NO. 74400

AFC-550 Mounting Pad, Primed, PART NO. 74404

Foam Chamber Vapor Seal Assembly

Teflon construction, meets UL required burst pressure range of 10-25 psi (0.7-1.7 bar)

AFC-90 Vapor Seal Assembly, PART NO. 418581

AFC-170 Vapor Seal Assembly, PART NO. 418582

AFC-330 Vapor Seal Assembly, PART NO. 418583

AFC-550 Vapor Seal Assembly, PART NO. 418584

AFC-90 Cover Gasket, PART NO. 75985

AFC-170 Cover Gasket, PART NO. 75986

AFC-330 Cover Gasket, PART NO. 75987

AFC-550 Cover Gasket, PART NO. 75988

Foam Chamber Orifice Plate

Removable, sized to deliver the required flow rate of foam solution at a specified inlet pressure.

AFC-90 Orifice Plate, PART NO. 74610

AFC-170 Orifice Plate, PART NO. 74611

AFC-330 Orifice Plate, PART NO. 74612

AFC-550 Orifice Plate, PART NO. 74613

Foam Chamber Diverter Test Tube

Used for foam solution quality testing.

AFC-90 Foam Diverter Test Tube, PART NO. 74408

AFC-170 Foam Diverter Test Tube, PART NO. 74412

AFC-330 Foam Diverter Test Tube, PART NO. 74416

AFC-550 Foam Diverter Test Tube, PART NO. 74420

Foam Chamber Cover Screw, All Models, PART NO. 75968

JET-X High-Expansion Generators/Accessories

High-Expansion Generators/Accessories

Water-powered. Designed to deliver JET-X high-expansion foam with a maximum output capacity of 28,800 cfm. The generators are of steel construction with a water powered motor and stainless steel foam screen. No electrical power is required. The generators come in various sizes and are used for both portable and fixed-system applications.

High-Expansion Generator, JET-X-2A

2 %: 2,777 cfm (78.6 cmm) @ 75 psi (5 bar). UL Listed.
PART NO. 420001

High-Expansion Generator, JET-X-5A

2 %: 9,383 cfm (265.7 cmm) @ 75 psi (5 bar). UL Listed.
PART NO. 420003

High-Expansion Generator, JET-X-15A (UL)

2 %: 19,141 cfm (542.0 cmm) @ 75 psi (5 bar). UL Listed.
PART NO. 420005

High-Expansion Generator, JET-X-15A (LNG)

2 %: 17,769 cfm (503.2 cmm) @ 75 psi (5 bar).
UL Listed.
PART NO. 420007

High-Expansion Generator, JET-X-15A (FM)

2 3/4%: 17,985 cfm (509.3 cmm) @ 75 psi (5 bar).
FM Approved with 2 3/4% concentrate only.
PART NO. 420006

High-Expansion Generator, JET-X-20

2 3/4%: 21,145 cfm (598.8 cmm) @ 75 psi (5 bar).
UL Listed.
PART NO. 421590

High-Expansion Generator, JET-X-27

2 %: 27,303 cfm (773.1 cmm) @ 75 psi (5 bar).
UL Listed with 2% concentrate only.
PART NO. 436899



Portable High-Expansion Foam Generators

Portable foam generator may be used for total flooding or local application. Minimizes water damage. Supplied with 100 ft (30 m) of expandable polyethylene ducting. Common applications include warehouses, ship holds, engine rooms, enclosed spaces and mining. Corrosion-resistant pipe work and fittings.

JET-X-PFG-7

7,200 cfm (204 cmm) @ 145 psi (10 bar)
PART NO. 430837

JET-X-PFG-M

2,600 cfm (74 cmm) @ 123 psi (8.5 bar)
PART NO. 430839



Foam Systems Training

Foam Systems Design and Specification Training

This program is recommended for all personnel involved in the specification, design, installation or commissioning of foam systems. It includes all areas of the design, equipment selection, foam agent application and installation of fixed foam systems for a variety of hazards in accordance with NFPA Standards. Special emphasis is given to the identification and specifications of all component parts of the different fixed foam systems.

Day 1

- Foam Agents
- Foam System Discharge Devices and Mobile Equipment
- Foam System Component Requirements
 - Bladder Tank Systems
 - Pump Systems
 - Line Proportioner Systems
- Sprinkler Systems – Types and Applications

Day 2

- Foam System Design Procedures and Bills of Material Preparation
 - Closed-Head Foam-Water Sprinkler Systems and Flammable Liquid Storage – NFPA 16 and 30
 - Aircraft Hangers – NFPA 409
 - High-Expansion Systems – NFPA 11

Day 3 (a.m. only)

- Fuel Storage Tanks – NFPA 11
- Truck/Rail Car Loading Facilities – NFPA 11 and 16
- Foam System Check-out Procedures
- Bladder Tank Filling Procedures

Foam Systems Service and Maintenance Training

This program will provide an overview of the basic types of fixed foam systems but will focus on the correct service and maintenance procedures for the various systems. Students will have an opportunity for actual hands-on experience on foam testing procedures, bladder tank filling and more.

Day 1

- Foam Agents – AFFF, Class A, High-Expansion
- Foam System Discharge Devices and Mobile Equipment
- Foam System Component Requirements
 - Bladder Tank Systems
 - Pump Systems
 - Line Proportioner Systems
- Sprinkler Systems – Types and Applications
- Overview of Foam System Design

Day 2

- The Environment and Disposal Issues
- Fixed Foam System Commissioning Procedures
 - Refractive Index Testing
 - Conductivity Testing
 - Bladder Tank Filling
 - Oscillating Monitor Adjustment and Winterizing
 - Pressure Regulating Valve Adjustment and Testing



Is Your Foam Washed Up?

The only way to be sure of foam quality is through annual testing,
as recommended by NFPA 11...

NFPA 11: Standard for Low-Expansion Foam, Chapter 7.2, Foam Concentrate Inspection, states: At least annually, an inspection shall be made of foam concentrates and their tanks or storage containers for evidence of excessive sludging or deterioration. Samples of concentrates shall be sent to the manufacturer or qualified laboratory for quality condition testing. Quantity of concentrate in storage shall meet design requirements, and tanks or containers shall normally be kept full, with adequate space allowed for expansion.

We Put It to the Test

Tyco Fire Protection Products is a full line foam manufacturer with a Qualified Agents Laboratory equipped to conduct a complete quality analysis with each foam sample you send (including foams from other manufacturers). The analysis includes:

- pH
- Density
- Refractive Index
- Foam Quality
- Fire Performance
- Comments and Recommendations



The ANSUL Foam Agent Test Kit provides the containers and instructions to facilitate taking samples and shipping them to our laboratory.

Order the ANSUL Foam Agent Test Kit (Part No. 428679) from your local distributor
or call us at 1-800-862-6785 or 1-715-735-7415



One Stanton Street
Marinette, WI 54143-2542
USA

800-862-6785 (United States, Canada)
+1-715-735-7411 (International)
www.ansul.com

